

## 92X92X25 mm

Model	P/N	Bearing ● Sleeve ● 2BALL	Rating Voltage (VDC)	Power Current (mA)	Power Consumption (WATTS)	Speed (RPM)	Air Flow (CFM)	Static Pressure (Inch-H <sub>2</sub> O)	Noise (dBA)	Weight (g)
KD1209PTB1	13.(2).GN	●	12	160	1.9	2800	49.0	0.17	35.0	95
KD1209PTB2	13.(2).GN	●	12	130	1.6	2600	48.0	0.15	33.0	95
KD1209PTB3	13.(2).GN	●	12	90	1.1	2300	41.0	0.11	30.0	95
KD1209PTS1	13.GN	●	12	160	1.9	2800	49.0	0.16	34.0	95
KD1209PTS2	13.GN	●	12	130	1.6	2500	44.5	0.14	32.0	95
KD1209PTS3	13.GN	●	12	100	1.2	2200	39.0	0.11	28.0	95
KD2409PTB1	13.(2).A.GN	●	24	75	1.8	2800	49.0	0.17	35.0	100
KD2409PTB2	13.(2).A.GN	●	24	60	1.4	2600	48.0	0.15	33.0	100
KD2409PTB3	13.(2).A.GN	●	24	43	1.0	2300	41.0	0.11	30.0	100
KD2409PTS1	13.A.GN	●	24	76	1.8	2800	49.0	0.16	34.0	100
KD2409PTS2	13.A.GN	●	24	61	1.5	2500	44.5	0.14	32.0	100
KD2409PTS3	13.A.GN	●	24	49	1.2	2200	39.0	0.11	28.0	100

## 120X120X38 mm

Model	P/N	Bearing	(VDC)	(mA)	(WATTS)	(RPM)	(CFM)	(Inch-H <sub>2</sub> O)	(dBA)	(g)
KD1212PMB1	13.(2).A.GN	●	12	525	6.3	2650	132.7	0.26	43.7	245
KD1212PMB2	13.(2).A.GN	●	12	365	4.4	2350	117.6	0.21	40.8	245
KD1212PMB3	13.(2).A.GN	●	12	290	3.5	2050	100.8	0.15	37.0	245
KD2412PMB1	13.(2).A.GN	●	24	270	6.5	2650	132.7	0.26	43.7	245
KD2412PMB2	13.(2).A.GN	●	24	217	5.2	2350	117.6	0.21	40.8	245
KD2412PMB3	13.(2).A.GN	●	24	153	3.7	2050	100.8	0.15	37.0	245

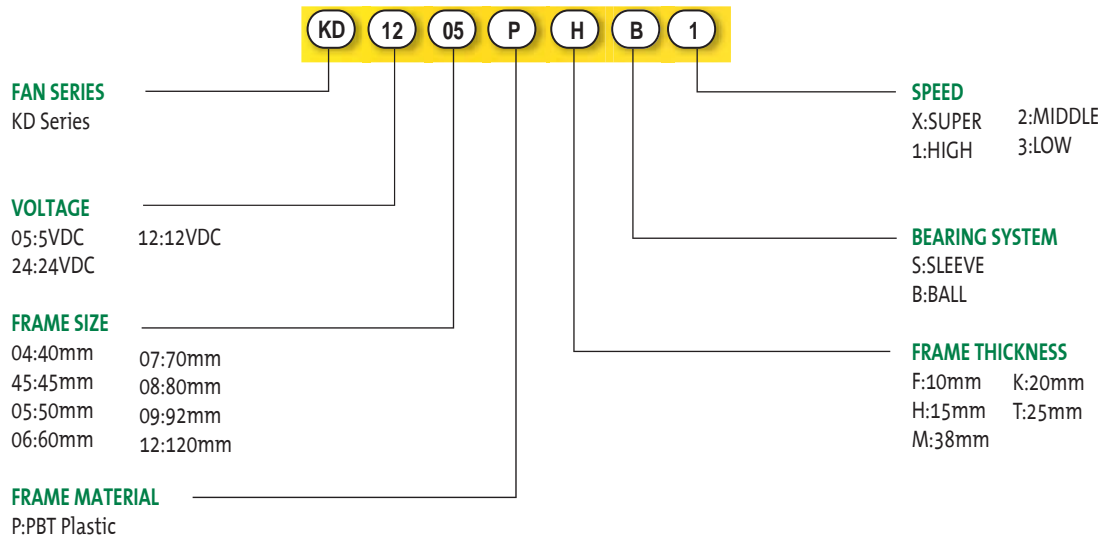
### Safety



### Certification



## DC Brushless Fan Model Numbering System



### P/N

Example: KD1205PHB1 P/N:(2).GN

- 11/13 Motor model
- (2) Two ball bearing
- G Big hub
- (9) 9 Blades
- GN RoHS compliance